

BAD



COUPLING FLANGE

Circular-Circular coupling flange trough anti-vibration canvas.

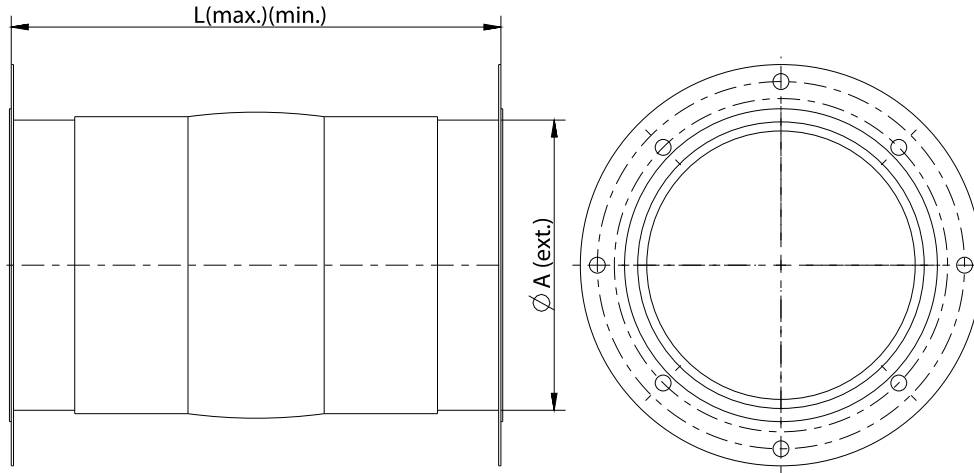
Fans



Technical data

Code	Model
960003451	BAD 1
960003452	BAD 2
960003453	BAD 3
960003454	BAD 4
960003455	BAD 5
960003456	BAD 6
960003457	BAD 7
960003458	BAD 8
960003459	BAD 9
960003460	BAD 10
960003461	BAD 11
960003462	BAD 12
960003463	BAD 13
960003464	BAD 14
960003465	BAD 15
960003466	BAD 16
960003467	BAD 17
960003468	BAD 18
960003469	BAD 19
960003470	BAD 20
960003471	BAD 21

Dimensions



Model	AC	L (max)	L (min)	ØA (int)
BAD 1	AC-80	215	190	76,5
BAD 2	AC-100	215	190	96,5
BAD 3	AC-130	215	190	126,5
BAD 4	AC-150	215	190	146,5
BAD 5	AC-175	215	190	171,5
BAD 6	AC-200	215	190	196,5
BAD 7	AC-225	215	190	221,5
BAD 8	AC-250	215	190	246,5
BAD 9	AC-300	215	190	296,5
BAD 10	AC-350	215	190	351,5
BAD 11	AC-400	215	190	396,5
BAD 12	AC-450	215	190	446,5
BAD 13	AC-500	215	190	496,5
BAD 14	AC-560	215	190	556,5
BAD 15	AC-630	215	190	626,5
BAD 16	AC-710	215	190	706,5
BAD 17	AC-800	215	190	795,5
BAD 18	AC-900	215	190	896,5
BAD 19	AC-1000	215	190	996,5
BAD 20	AC-1120	215	190	1116,5
BAD 21	AC-1250	215	190	1246,5