

MBC



**MEDIUM PRESSURE FAN WITH FORWARD IMPELLER**

MANUFACTURING FEATURES:

- Reinforced rolling steel sheet housing completely welded (internally and externally) with epoxy powder finishing coat.
- Standart asynchronous squirrel-cage motor with IP-55 protection and rated class F insulation. Standard voltages 230V 50Hz for single phase motors, 230/400V 50Hz for three phase, motors up to 4kW and 400/690V 50Hz for higher powers.
- Standard orientation: LG270.

APPLICATIONS:

Designed for inline installation, they are suitable for:

- Hot air exhaust in ovens or facilities with high temperatures.
- Clean air transport.
- Maximum working temperature: carried air: 250°C, ambient 1ph 50°C, 3ph 60°C.

UNDER REQUEST

- 2 speed motors.
- Orientation: LG0, LG90, LG180.

Accessories



AC



BAD



EI



FILTRO  
EMC



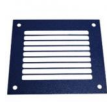
INT



JE-45



RA



RBS



SFC

## Technical data

### Single-phase motor / 4 poles

Code	Model	R.P.M.	Rated I. (A) 230V	Rated power kW	Max. Airflow m3/h	Sound db (A)*	Weight	Connect. diagram
253310143	MBC 25/10 M4 1,1kW	1400	7,45	1,10	2.530	60	63	1

### Single-phase motor / 6 poles

Code	Model	R.P.M.	Rated I. (A) 230V	Rated power kW	Max. Airflow m3/h	Sound db (A)*	Weight	Connect. diagram
253300143	MBC 25/10 M6 0,55kW	890	3,9	0,55	1.670	56	61	1
253380143	MBC 28/11 M6 0,75kW	900	4,9	0,75	2.300	58	67	1

### Three-phase motor / 2 poles

Code	Model	R.P.M.	Rated I. (A) 400V	Rated power kW	Max. Airflow m3/h	Sound db (A)*	Weight	Connect. diagram
253280146	MBC 25/10 T2 2,2kW	2800	4,58	2,20	2.550	64	65	2
253290146	MBC 25/10 T2 3kW	2870	5,92	3	3.700	65	66	2
253360146	MBC 28/11 T2 4kW	2890	7,63	4	3.800	68	66	2

### Three-phase motor / 4 poles

Code	Model	R.P.M.	Rated I. (A) 400V	Rated power kW	Max. Airflow m3/h	Sound db (A)*	Weight	Connect. diagram
253310146	MBC 25/10 T4 1,1kW	1400	2,49	1,10	2.530	60	64	2
253370146	MBC 28/11 T4 2,2kW	1430	4,64	2,20	3.490	64	70	2
253460146	MBC 31/12 T4 3kW	1430	6,17	3	6.160	68	72	2
253480146	MBC 35/14 T4 3kW	1430	6,17	3	6.500	72	75	2
253490146	MBC 35/14 T4 5,5kW	1440	10,5	5,50	8.290	73	78	2
253510146	MBC 40/16 T4 5,5kW	1440	10,5	5,50	9.000	75	87	2
253520146	MBC 40/16 T4 7,5kW	1440	14,1	7,50	11.500	77	89	2
253530146	MBC 45/18 T4 5,5kW	1440	10,5	5,50	8.500	79	91	2
253540146	MBC 45/18 T4 7,5kW	1440	14,1	7,50	9.500	80	93	2

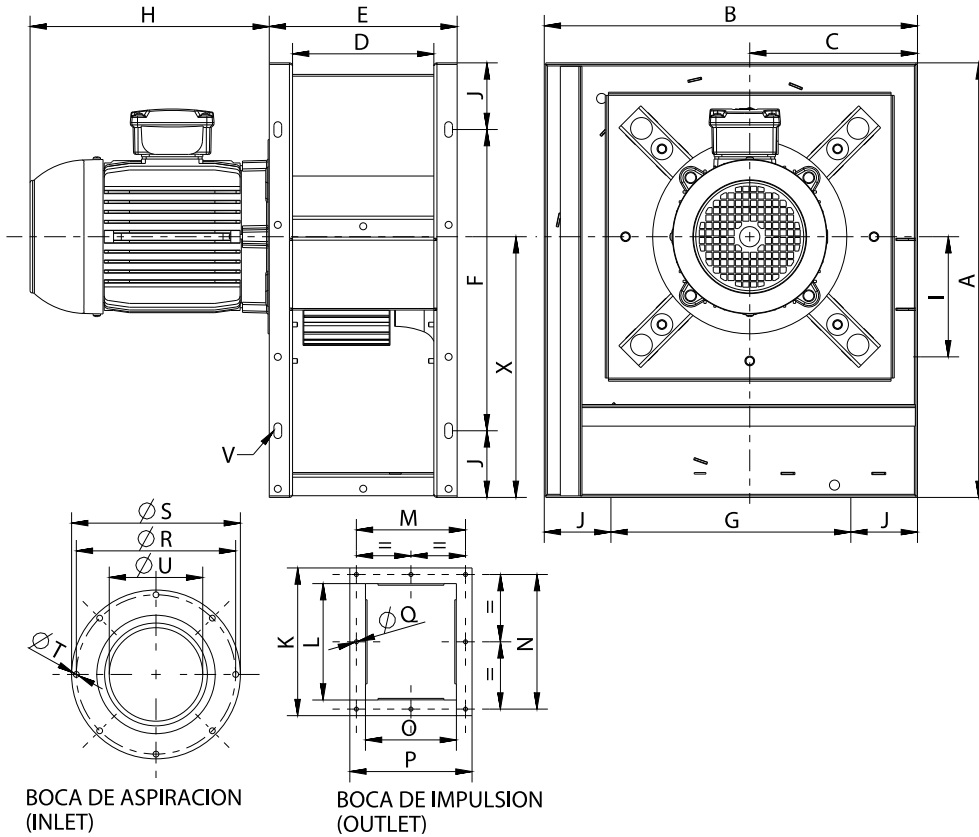
### Three-phase motor / 6 poles



Code	Model	R.P.M.	Rated I. (A) 400V	Rated power kW	Max. Airflow m3/h	Sound db (A)*	Weight	Connect. diagram
253300146	MBC 25/10 T6 0,55kW	900	1,8	0,55	1.670	56	63	2
253380146	MBC 28/11 T6 0,75kW	910	1,95	0,75	2.300	58	69	2
253430146	MBC 31/12 T6 1,5kW	940	3,71	1,50	4.060	63	71	2
253470146	MBC 35/14 T6 1,5kW	940	3,71	1,50	5.170	67	77	2
253500146	MBC 40/16 T6 2,2kW	940	5,94	2,20	7.150	71	86	2
253560146	MBC 45/18 T6 2,2kW	940	5,94	2,20	6.800	75	90	2

**Notes:**  
 \* Total sound pressure level at the point of maximum flow measured in dB(A) in the suction measured in free field at a distance of 6m from the source

### Dimensions



Model	A	B	C	D	E	F	G	H	I
MBC 25/10 M4 1,1kW	502	440	197	169	229	330	268	265	144
MBC 25/10 M6 0,55kW	502	440	197	169	229	330	268	245	144
MBC 25/10 T2 2,2kW	502	440	197	169	229	330	268	258	144
MBC 25/10 T2 3kW	502	440	197	169	229	330	268	290	144
MBC 25/10 T4 1,1kW	502	440	197	169	229	330	268	265	144
MBC 25/10 T6 0,55kW	502	440	197	169	229	330	268	245	144
MBC 28/11 M6 0,75kW	560	481	216	182	240	388	309	270	153
MBC 28/11 T2 4kW	560	481	216	182	240	388	309	322,5	153
MBC 28/11 T4 2,2kW	560	481	216	182	240	388	309	300	153
MBC 28/11 T6 0,75kW	560	481	216	182	240	388	309	270	153
MBC 31/12 T4 3kW	630	550	246	204	274	458	378	300	181
MBC 31/12 T6 1,5kW	630	550	246	204	274	458	378	300	181
MBC 35/14 T4 3kW	700	602	267	230	300	528	430	300	243
MBC 35/14 T4 5,5kW	700	602	267	230	300	528	430	375	243
MBC 35/14 T6 1,5kW	700	602	267	230	300	528	430	300	243
MBC 40/16 T4 5,5kW	790	670	292	254	334	618	498	375	270
MBC 40/16 T4 7,5kW	790	670	292	254	334	618	498	400	270

Model	A	B	C	D	E	F	G	H	I
MBC 40/16 T6 2,2kW	790	670	292	254	334	618	498	320	270
MBC 45/18 T4 5,5kW	880	760	326	280	360	708	588	375	305
MBC 45/18 T4 7,5kW	880	760	326	280	360	708	588	400	305
MBC 45/18 T6 2,2kW	880	760	326	280	360	708	588	320	305

Model	J	K	L	M	N	O	P	Q	R
MBC 25/10 M4 1,1kW	86	314	253	205	290	169	229	9	282
MBC 25/10 M6 0,55kW	86	314	253	205	290	169	229	9	282
MBC 25/10 T2 2,2kW	86	314	253	205	290	169	229	9	282
MBC 25/10 T2 3kW	86	314	253	205	290	169	229	9	282
MBC 25/10 T4 1,1kW	86	314	253	205	290	169	229	9	282
MBC 25/10 T6 0,55kW	86	314	253	205	290	169	229	9	282
MBC 28/11 M6 0,75kW	86	362	300	220	340	182	242	9	320
MBC 28/11 T2 4kW	86	362	300	220	340	182	242	9	320
MBC 28/11 T4 2,2kW	86	362	300	220	340	182	242	9	320
MBC 28/11 T6 0,75kW	86	362	300	220	340	182	242	9	320
MBC 31/12 T4 3kW	86	393	321	240	360	204	274	11	355
MBC 31/12 T6 1,5kW	86	393	321	240	360	204	274	11	355
MBC 35/14 T4 3kW	86	356	282	266	318	230	300	11	395
MBC 35/14 T4 5,5kW	86	356	282	266	318	230	300	11	395
MBC 35/14 T6 1,5kW	86	356	282	266	318	230	300	11	395
MBC 40/16 T4 5,5kW	86	406	322	300	370	254	334	11	438
MBC 40/16 T4 7,5kW	86	406	322	300	370	254	334	11	438
MBC 40/16 T6 2,2kW	86	406	322	300	370	254	334	11	438
MBC 45/18 T4 5,5kW	86	444	360	328	404	280	360	11	485
MBC 45/18 T4 7,5kW	86	444	360	328	404	280	360	11	485
MBC 45/18 T6 2,2kW	86	444	360	328	404	280	360	11	485

Model	S	T	U	V	X
MBC 25/10 M4 1,1kW	306	9	203	10x20	301
MBC 25/10 M6 0,55kW	306	9	203	10x20	301
MBC 25/10 T2 2,2kW	306	9	203	10x20	301
MBC 25/10 T2 3kW	306	9	203	10x20	301
MBC 25/10 T4 1,1kW	306	9	203	10x20	301
MBC 25/10 T6 0,55kW	306	9	203	10x20	301
MBC 28/11 M6 0,75kW	348	9	228	10x20	335
MBC 28/11 T2 4kW	348	9	228	10x20	335
MBC 28/11 T4 2,2kW	348	9	228	10x20	335
MBC 28/11 T6 0,75kW	348	9	228	10x20	335
MBC 31/12 T4 3kW	382	11	257	10x20	377

Model	S	T	U	V	X
MBC 31/12 T6 1,5kW	382	11	257	10x20	377
MBC 35/14 T4 3kW	422	11	289	10x20	420
MBC 35/14 T4 5,5kW	422	11	289	10x20	420
MBC 35/14 T6 1,5kW	422	11	289	10x20	420
MBC 40/16 T4 5,5kW	464	11	325	10x20	473
MBC 40/16 T4 7,5kW	464	11	325	10x20	473
MBC 40/16 T6 2,2kW	464	11	325	10x20	473
MBC 45/18 T4 5,5kW	515	11	365	10x20	527
MBC 45/18 T4 7,5kW	515	11	365	10x20	527
MBC 45/18 T6 2,2kW	515	11	365	10x20	527

# Wiring diagram

DIAGRAM Nº 1

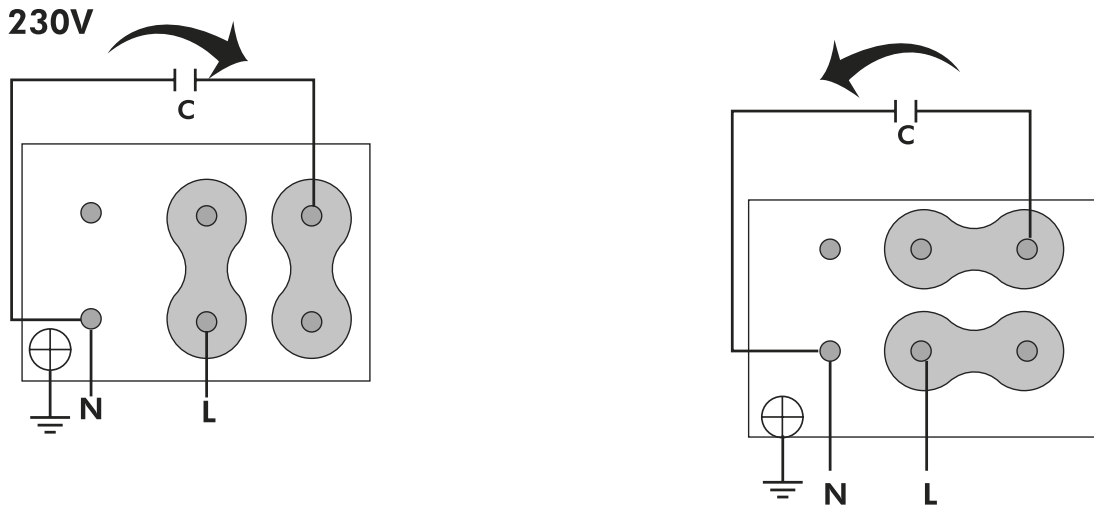
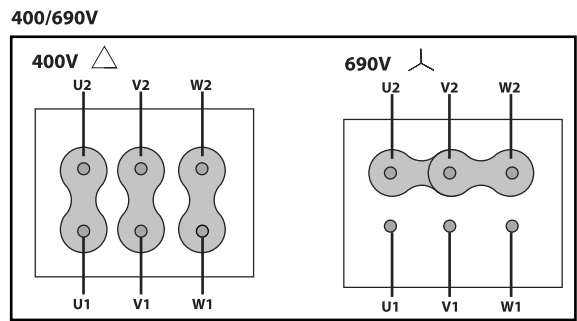
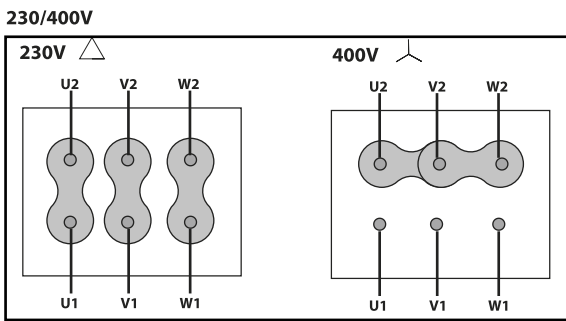


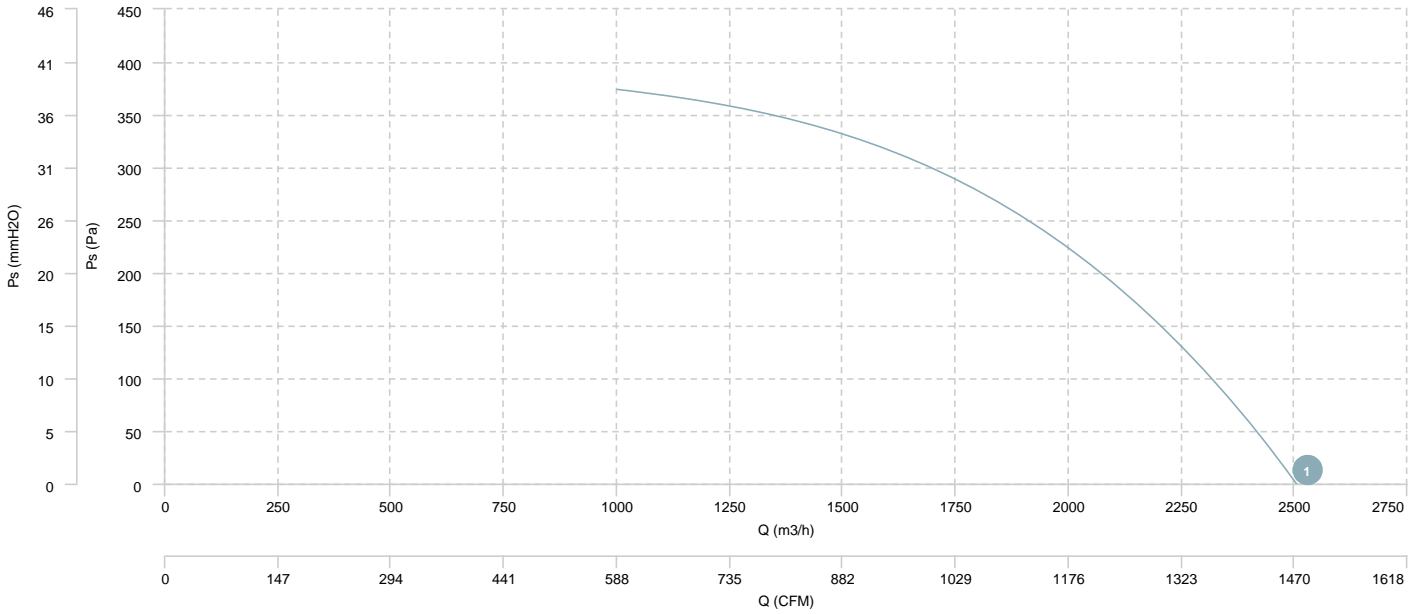
DIAGRAM Nº 2



# CHARACTERISCTIC CURVE

1 MBC 25/10 M4 1,1kW

## AIR FLOW - PRESSURE

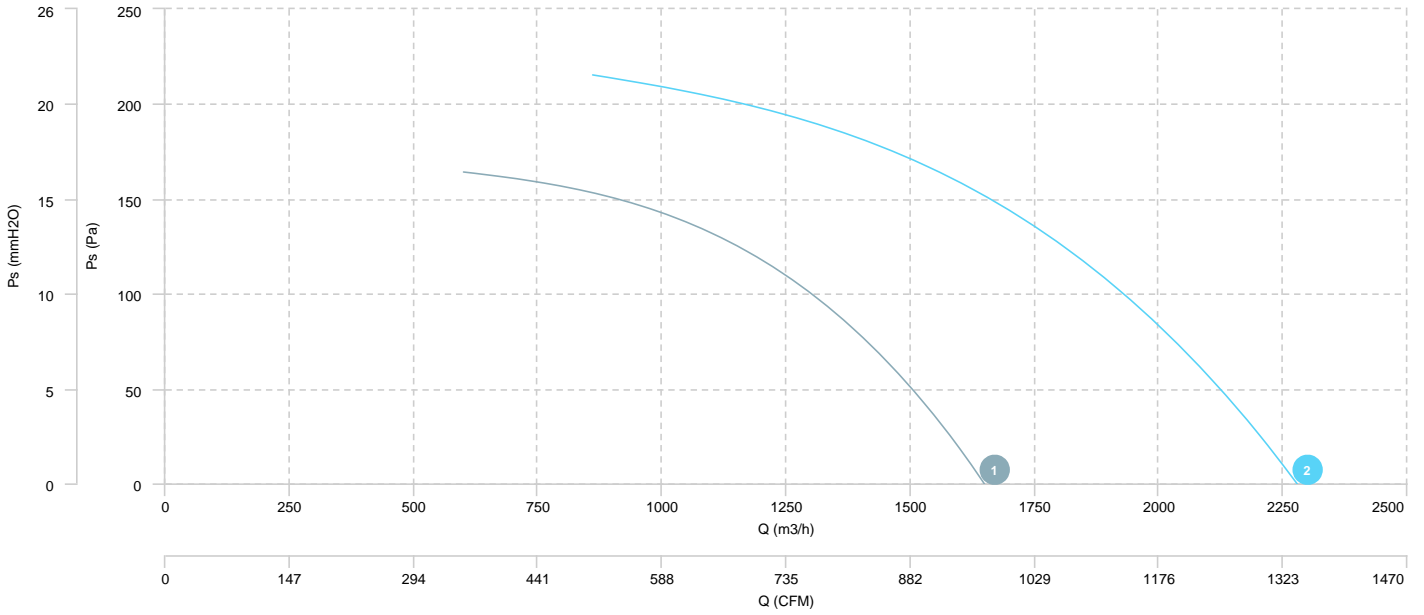




1 MBC 25/10 M6 0,55kW

2 MBC 28/11 M6 0,75kW

## AIR FLOW - PRESSURE

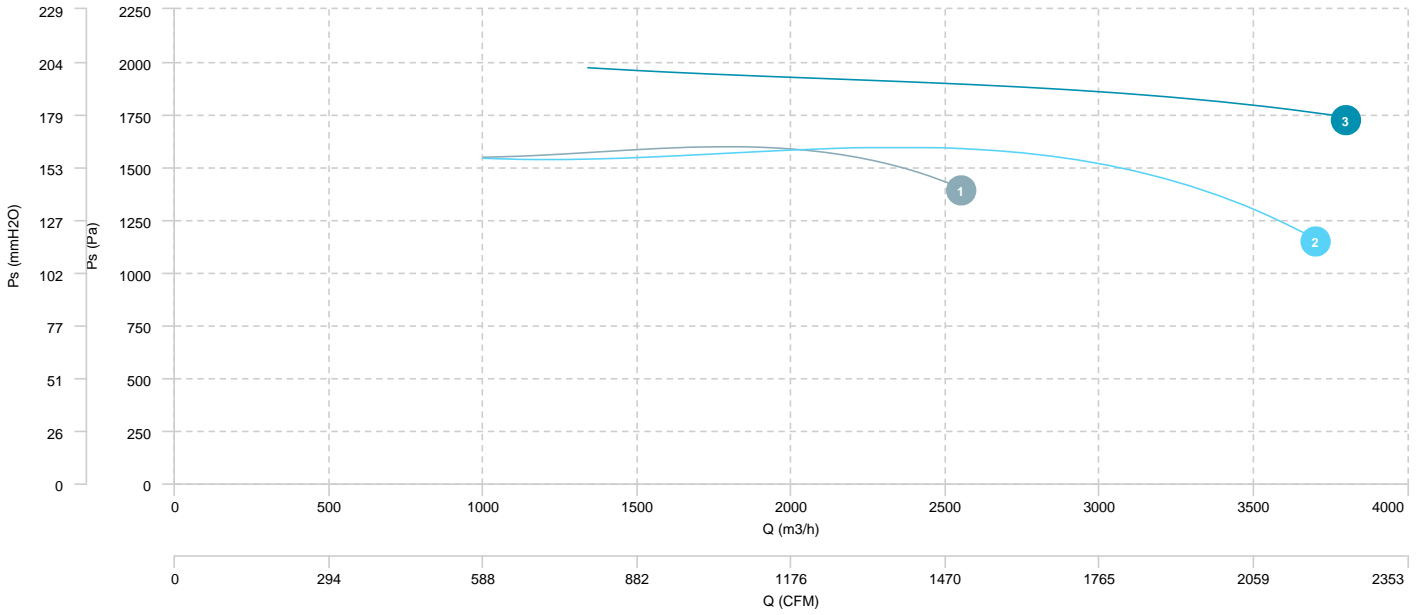


1 MBC 25/10 T2 2,2kW

2 MBC 25/10 T2 3kW

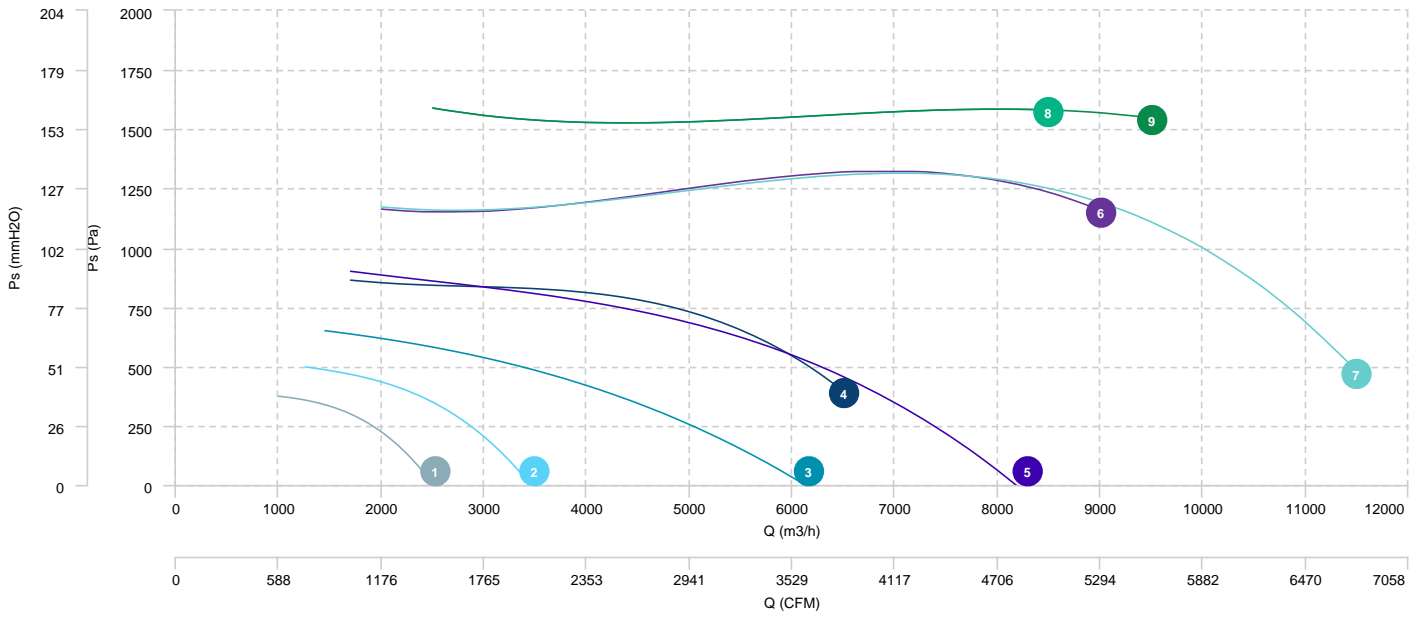
3 MBC 28/11 T2 4kW

## AIR FLOW - PRESSURE



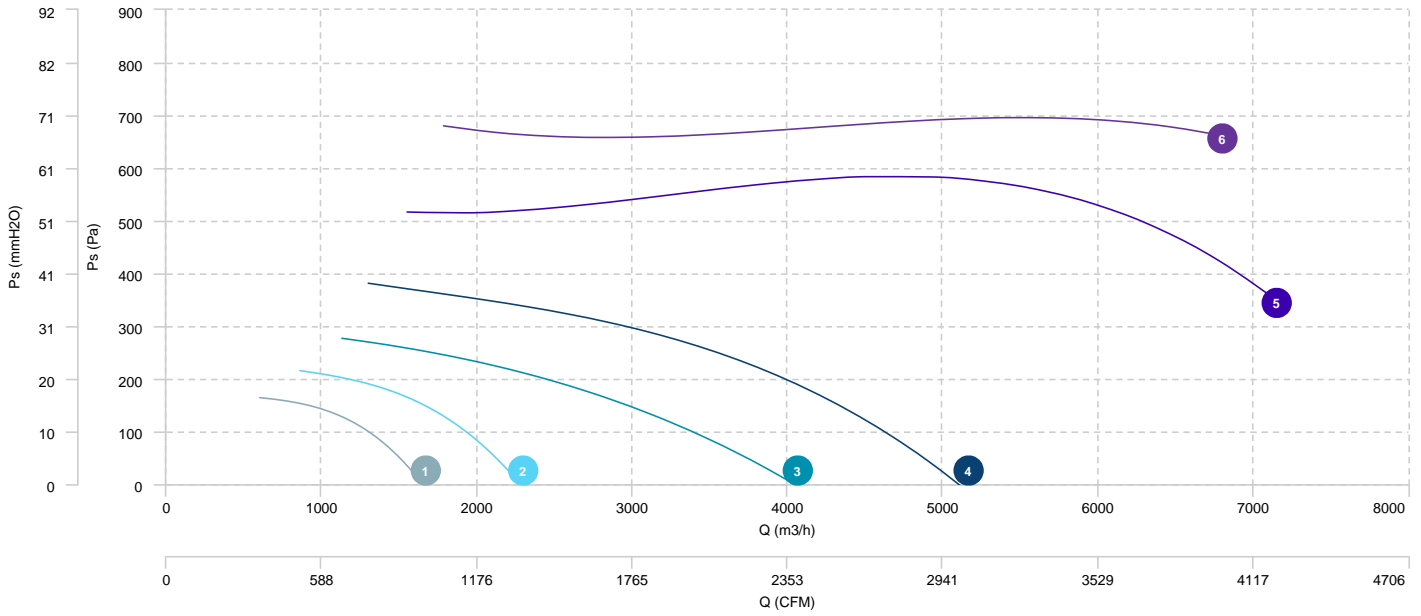
1	MBC 25/10 T4 1,1kW	2	MBC 28/11 T4 2,2kW	3	MBC 31/12 T4 3kW	4	MBC 35/14 T4 3kW
5	MBC 35/14 T4 5,5kW	6	MBC 40/16 T4 5,5kW	7	MBC 40/16 T4 7,5kW	8	MBC 45/18 T4 5,5kW
9	MBC 45/18 T4 7,5kW						

## AIR FLOW - PRESSURE



1	MBC 25/10 T6 0,55kW	2	MBC 28/11 T6 0,75kW	3	MBC 31/12 T6 1,5kW	4	MBC 35/14 T6 1,5kW
5	MBC 40/16 T6 2,2kW	6	MBC 45/18 T6 2,2kW				

## AIR FLOW - PRESSURE



## Sound data

### Sound / 2 poles

Sound power Lw dB (A)										
Model		63 Hz	125 Hz	250 Hz	500 Hz	1000 Hz	2000 Hz	4000 Hz	8000 Hz	Total
MBC 25/10 T2 2,2kW	Inlet	55	66	77	80	82	86	82	80	90
MBC 25/10 T2 3kW	Inlet	56	67	78	81	83	87	83	81	91
MBC 28/11 T2 4kW	Inlet	59	70	81	84	86	90	86	84	94

### Sound / 4 poles

Sound power Lw dB (A)										
Model		63 Hz	125 Hz	250 Hz	500 Hz	1000 Hz	2000 Hz	4000 Hz	8000 Hz	Total
MBC 25/10 M4 1,1kW	Inlet	56	69	75	76	81	82	78	75	86
MBC 25/10 T4 1,1kW	Inlet	56	69	75	76	81	82	78	75	86
MBC 28/11 T4 2,2kW	Inlet	59	72	78	79	84	85	81	78	90
MBC 31/12 T4 3kW	Inlet	63	76	82	83	88	89	85	82	94
MBC 35/14 T4 3kW	Inlet	68	81	87	88	93	94	90	87	98
MBC 35/14 T4 5,5kW	Inlet	69	82	88	89	94	95	91	88	99
MBC 40/16 T4 5,5kW	Inlet	71	84	90	91	96	97	93	90	101
MBC 40/16 T4 7,5kW	Inlet	72	85	91	92	97	98	94	91	103
MBC 45/18 T4 5,5kW	Inlet	75	88	94	95	100	101	97	94	105
MBC 45/18 T4 7,5kW	Inlet	76	89	95	96	101	102	98	95	106

### Sound / 6 poles

Sound power Lw dB (A)										
Model		63 Hz	125 Hz	250 Hz	500 Hz	1000 Hz	2000 Hz	4000 Hz	8000 Hz	Total
MBC 25/10 M6 0,55kW	Inlet	52	65	71	72	77	78	74	71	82
MBC 25/10 T6 0,55kW	Inlet	52	65	71	72	77	78	74	71	82
MBC 28/11 M6 0,75kW	Inlet	53	66	72	73	78	79	75	72	84
MBC 28/11 T6 0,75kW	Inlet	53	66	72	73	78	79	75	72	84
MBC 31/12 T6 1,5kW	Inlet	59	72	78	79	84	85	81	78	89
MBC 35/14 T6 1,5kW	Inlet	63	76	82	83	88	89	85	82	93
MBC 40/16 T6 2,2kW	Inlet	66	79	85	86	91	92	88	85	97
MBC 45/18 T6 2,2kW	Inlet	71	84	90	91	96	97	93	90	101