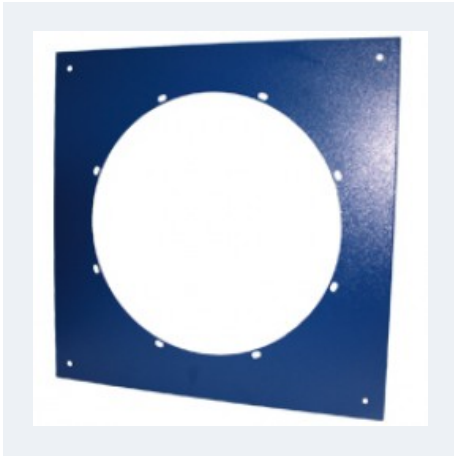


MC HB



SQUARE MOUNTING FRAME FOR HB

Square mounting frame for HB fans.
Manufactured in steel and protected against corrosion with epoxy resin powder.

Fans



HB



HBA



HBF F300



HBF F400



HBFX
(F400+ATE
X)

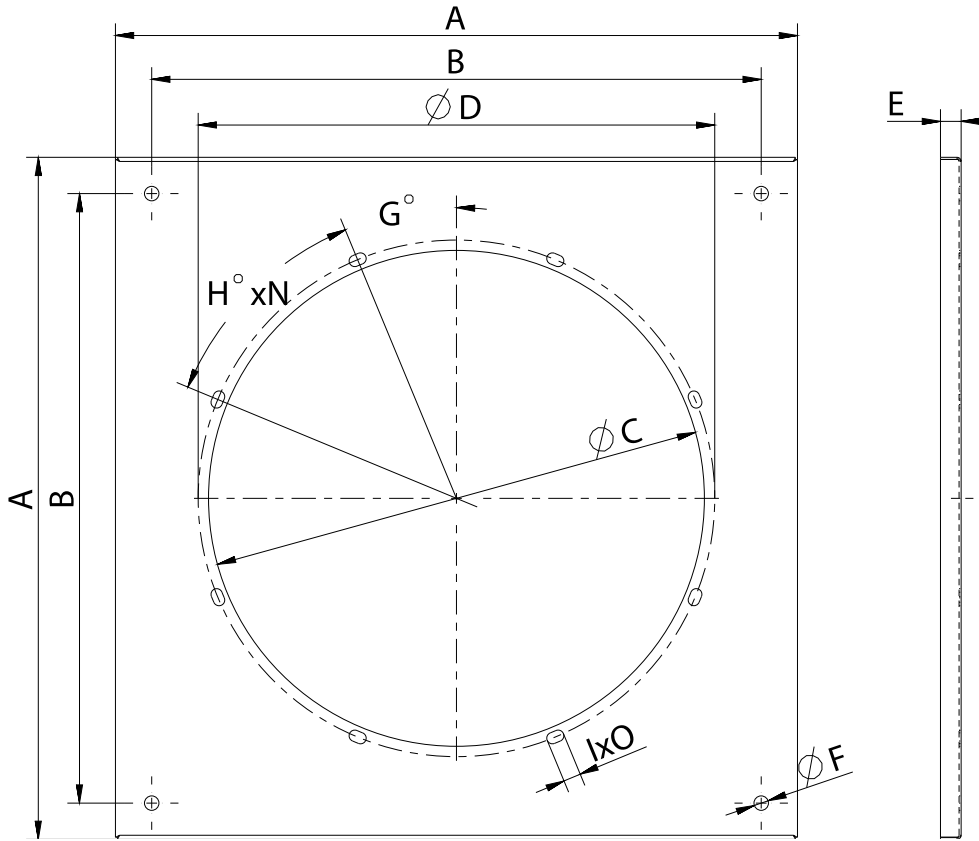


HBX
(ATEX)

Technical data

Code	Model
960003152	MC HB 35
960003153	MC HB 40
960003154	MC HB 45
960003155	MC HB 50
960003156	MC HB 56
960003157	MC HB 63
960003158	MC HB 71
960003159	MC HB 80
960003160	MC HB 90
960003161	MC HB 100

Dimensions



Model	A	B	C	D	E	ESPES	F	G	HxN
MC HB 35	550	480	378	395	20	2	14	22,5°	45°x8
MC HB 40	600	530	421	450	20	2	14	22,5°	45°x8
MC HB 45	660	590	480	500	18	2	14	22,5°	45°x8
MC HB 50	715	645	538	560	18	2	14	15°	30°x12
MC HB 56	760	690	585	620	18	2	14	15°	30°x12
MC HB 63	830	760	655	690	18	2	14	15°	30°x12
MC HB 71	915	845	740	770	20	3	14	11,3°	22,5°x16
MC HB 80	1050	980	825	860	20	3	14	11,3°	22,5°x16
MC HB 90	1150	1080	925	970	20	3	18	11,3°	22,5°x16
MC HB 100	1250	1180	1034	1070	20	3	18	11,3°	22,5°x16

Model	IxO
MC HB 35	17x11
MC HB 40	17x11
MC HB 45	17x11
MC HB 50	17x11
MC HB 56	17x11

Model	IxO
MC HB 63	17x11
MC HB 71	17x11
MC HB 80	17x11
MC HB 90	17x11
MC HB 100	17x11