

MDE



EXTERNAL ROTOR MOTOR AND FORWARD IMPELLER FAN

MANUFACTURING FEATURES:

- Welded rolled steel housing.
- Laminated steel sheet simple inlet forward curved impeller for model MDE 130; in polypropylene for model MDE 120.
- Inlet protection guard included.
- Epoxy powder finishing coat.
- Asynchronous external rotor with IP-44 protection and Class B insulation according to the DIN 40.050 h1 Standard; ball bearings greased for life. Standard voltages: 230V 50Hz.

APPLICATIONS:

- Designed for inline installation, they are suitable for:
- Industrial applications, extraction or injection of air.
 - Cooling of machines and parts.
 - Clean air transport.
 - Maximum working temperature: 50°C.

Accessories



INT



REG



REG
VMC



REGD-1

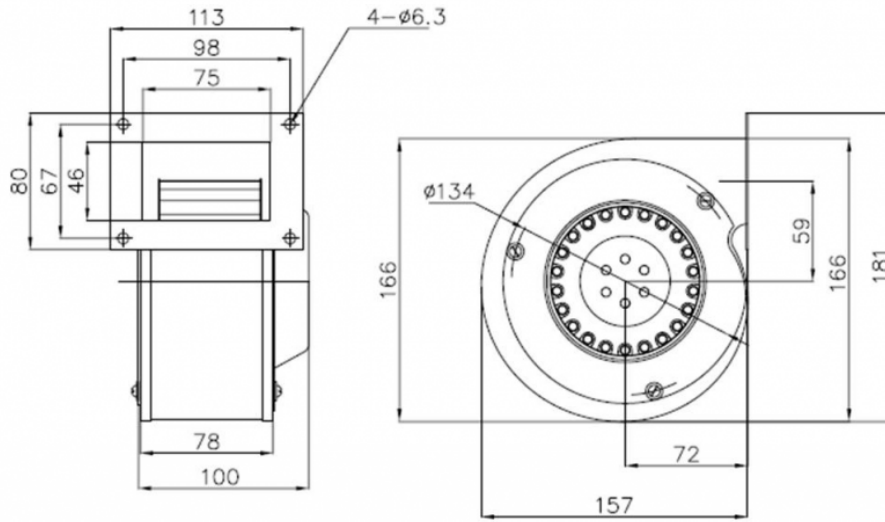
Technical data

Single-phase motor

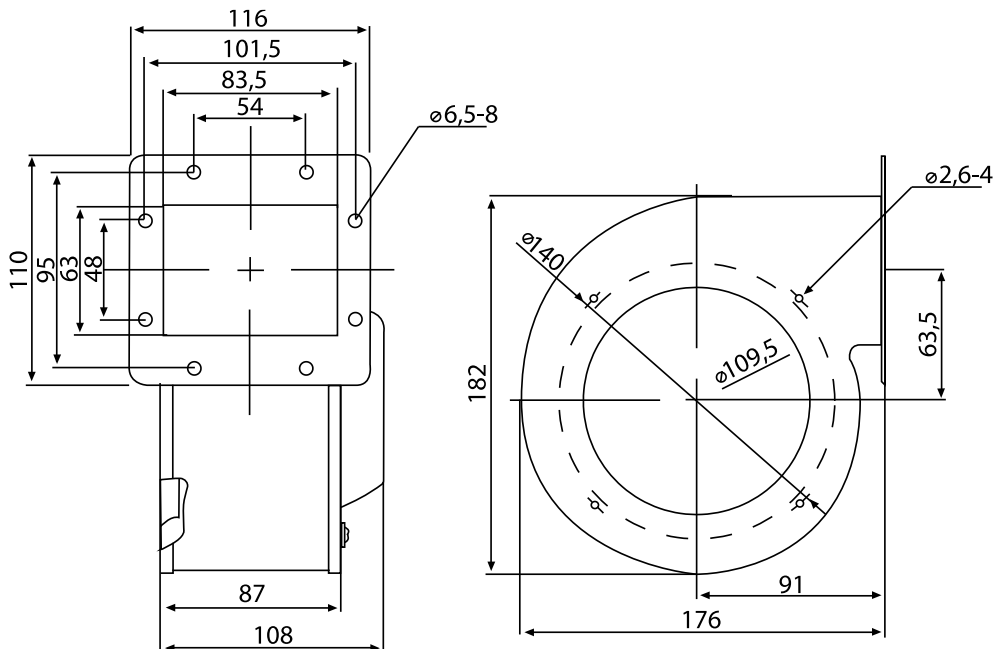
Code	Model	R.P.M.	Rated I. (A) 230V	Rated power kW	Max. Airflow m3/h	Sound db (A)*	Weight	Connect. diagram
300712100	MDE 120	2930	0,4	0,07	190	-	2,40	1
300712200	MDE 130	2890	0,5	0,12	400	-	3	1

Notes:
 * Total sound pressure level at the point of maximum flow measured in dB(A) in the suction measured in free field at a distance of 6m from the source

Dimensions



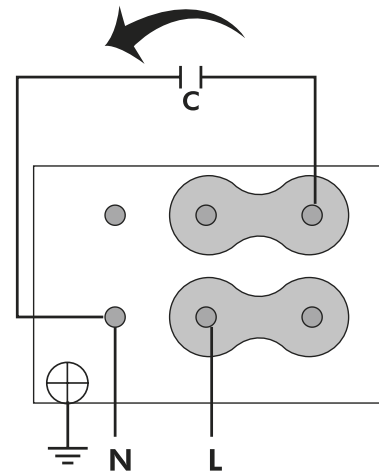
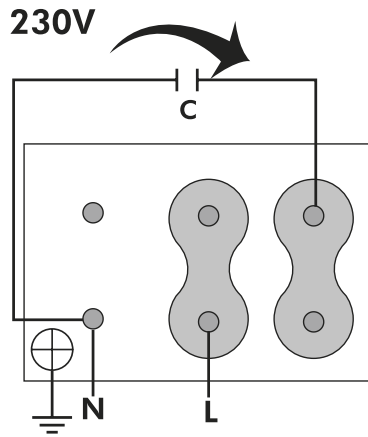
Model	MDE 120
MDE 120	



Model	MDE 130
MDE 130	

Wiring diagram

DIAGRAM N° 1



CHARACTERISCTIC CURVE

- 1 MDE 120
- 2 MDE 130

AIR FLOW - PRESSURE

