

REG



SINGLE PHASE MANUAL SPEED CONTROLLER

Speed controller for single phase motors (230 Vac at 50 Hz).
 Terminal wiring.
 Minimum speed adjust and potentiometer speed control. Sealed box IP-54.
 Pilot light switch.
 EMC filter according to En55014.

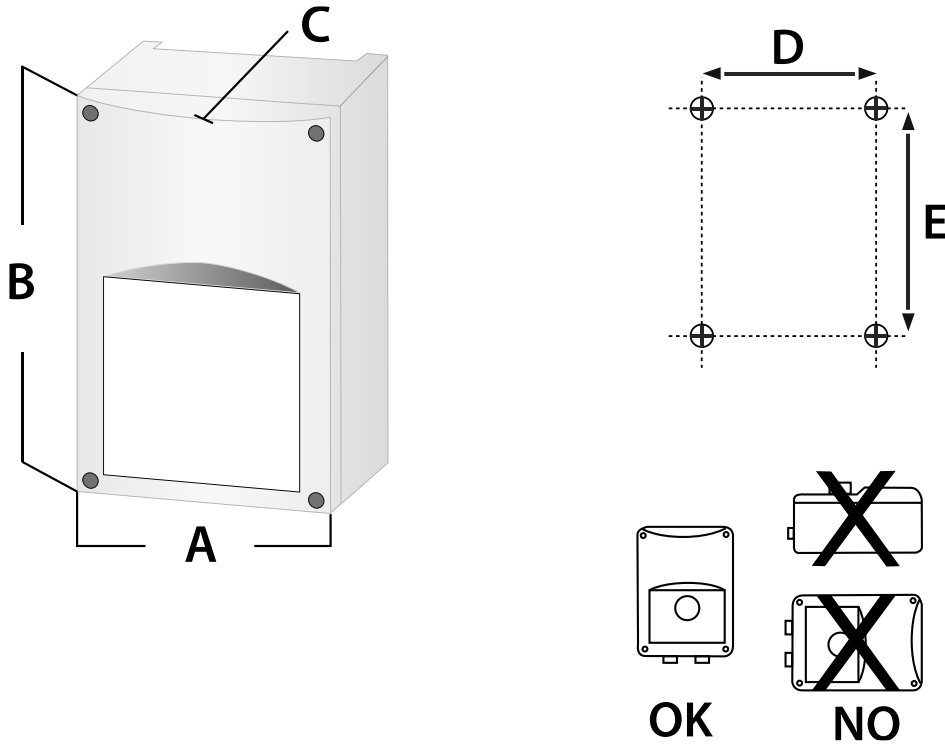
Fans



Technical data

Code	Model	Max.I. (A)	Weight	Connect. diagram
960710030	REG 3A	3	0,42	1
960710050	REG 5A	5	0,57	1
960710100	REG 10A	10	0,76	1
960710015	REG 1.5A	1,50	0,35	1

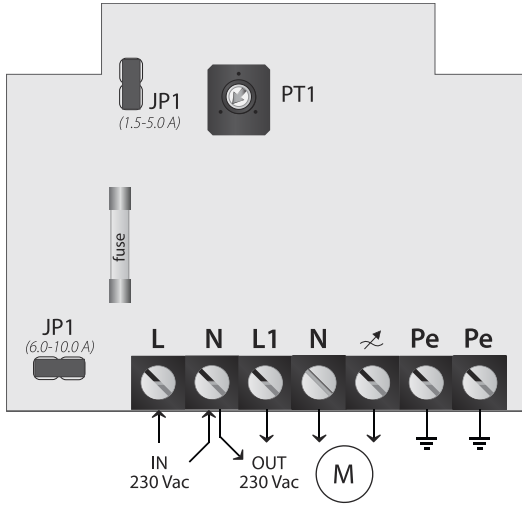
Dimensions



Model	A	B	C	D	E
REG 3A	83	160	66	71	108
REG 5A	83	160	81	71	108
REG 10A	113	178	92	102	140
REG 1.5A	83	160	66	71	108

Wiring diagram

DIAGRAM N° 1



L N	main supply 230 VAC - 50 Hz
N	neutral
Pe	earth connection
L1 N	unregulated out 230 VAC (2A)
N ↗	regulated output to motor
JP1	jumper removed = normal working mode jumper in place = kickstart mode
PT1	minimum speed adjustment trimmer