

## REG VMC



SINGLE PHASE VOLTAGE REGULATOR WITH 0-10v ENTRANCE

Fully digital automatic speed controller by varying the supplied voltage. It controls the rotational speed single phase (230 VAC/50Hz) voltage controllable motors according to differential pressure. It provides great number of user adjustable options. All data are visualised in a liquid crystal display (LCD). Differential pressure transmitter not included. Analog input: 0-10 V/0-20 mA. Plastic casing.

## Fans



BD



BD EXO



BOX BD



BOX BD PLUS



BT ROOF 2 SB



BT2



HJEM



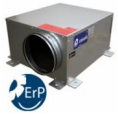
MDE



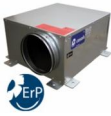
SB FILTER



SB-2



SBC FILTER



SBC-2



TWIN BOX BD

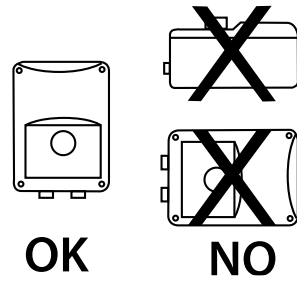
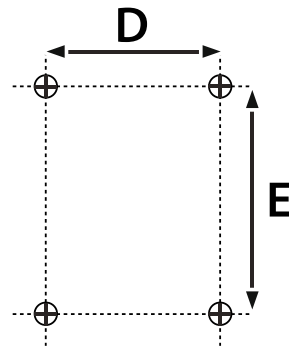
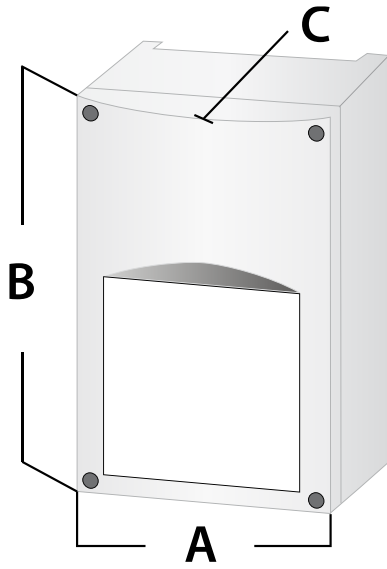


VULCAN

## Technical data

| Code      | Model       | Max.I.<br>(A) | Weight | Connect.<br>diagram |
|-----------|-------------|---------------|--------|---------------------|
| 300953903 | REG VMC 3A  | 3             | 1,72   | 1                   |
| 300953906 | REG VMC 6A  | 6             | 1,85   | 1                   |
| 300953910 | REG VMC 10A | 10            | 1,86   | 1                   |

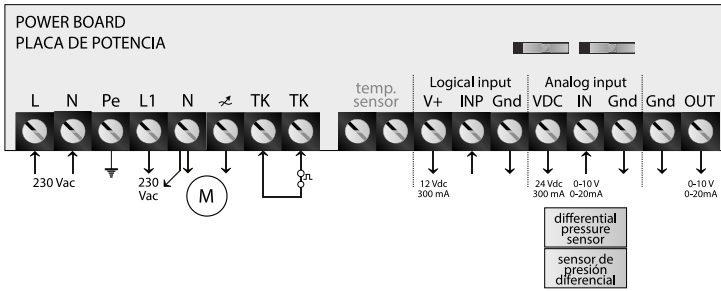
### Dimensions



| Model       | A   | B   | C   | D   | E   |
|-------------|-----|-----|-----|-----|-----|
| REG VMC 3A  | 170 | 255 | 140 | 155 | 194 |
| REG VMC 6A  | 170 | 255 | 140 | 155 | 194 |
| REG VMC 10A | 170 | 255 | 140 | 155 | 194 |

# Wiring diagram

DIAGRAM N° 1



|      |   |  |
|------|---|--|
| L N  | main supply<br>230 VAC-50Hz                               | alimentación principal<br>230 VAC-50Hz                     |
| N    | neutral   | neutro   |
| Pe   | earth connection  | tierra   |
| L1 N | unregulated output<br>230 VAC                             | salida no regulada<br>230 VAC                              |
| N    | regulated output to motor                                 | salida al motor regulada                                   |
| TK   | input thermal contacts<br>of the motor                    | entrada de los contactos<br>térmicos del motor             |
| V+   | 12VDC/300mA output  | salida 12VDC/300mA   |
| INP  | logical input<br>12-24 V = true (on)<br>0 V = false (off) | entrada lógica<br>12-24 V = true (on)<br>0 V = false (off) |
| Gnd  | ground  | tierra   |
| VDC  | 24 VDC/300 mA   | 24 VDC/300 mA  |
| IN   | 0-10 V/0-20 mA analog<br>input                            | 0-10 V/0-20 mA<br>entrada analógica                        |
| OUT  | 0-10 VDC/0-20 mA analog<br>output to slave                | 0-10 VDC/0-20 mA salida<br>analógica a esclavo             |