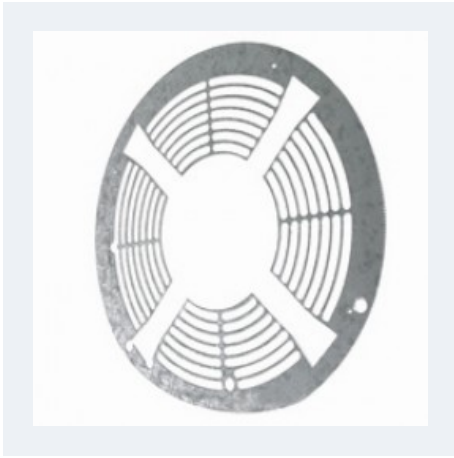


RM



MOTOR GUARD

Motor side protection guard specially designed to be fitted in the low pressure direct driven fans.
Manufactured in galvanised steel

Fans



BD



BD EEC

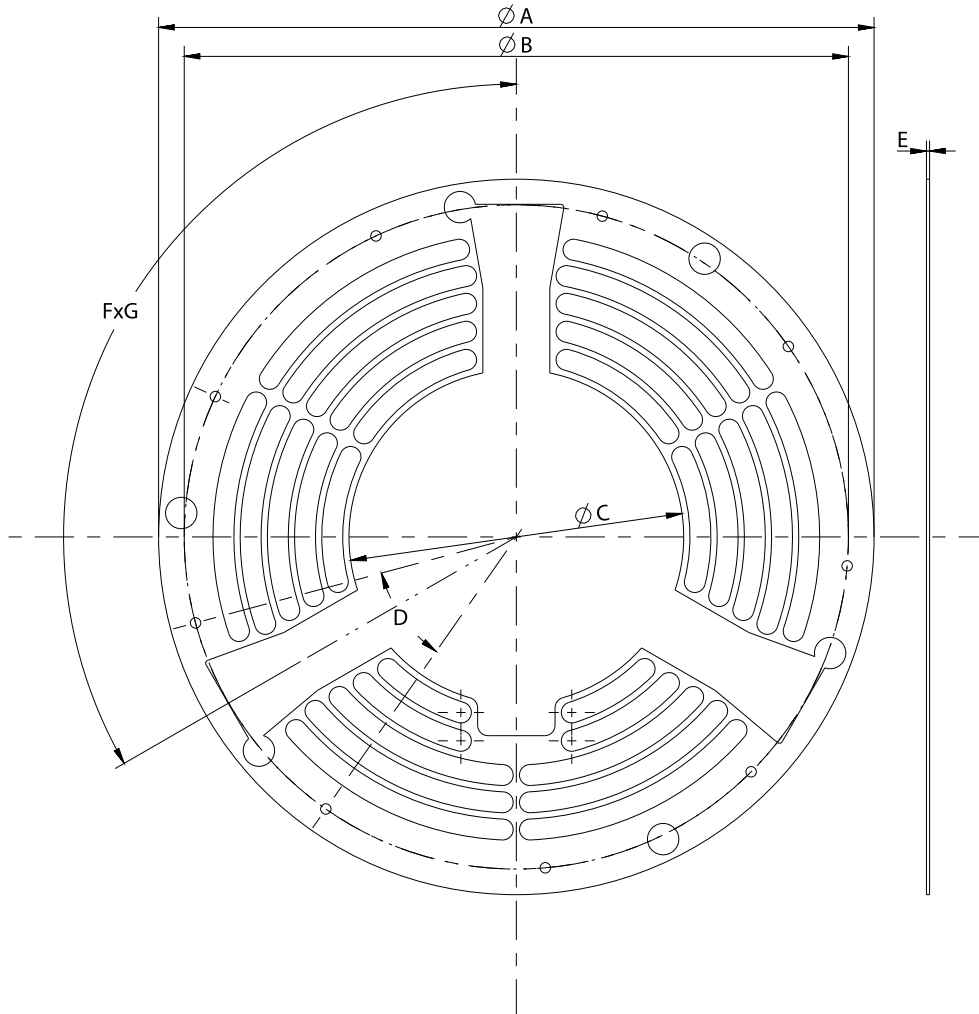


BD3V

Technical data

Code	Model
96000801	RM 7 (T63)
96000806	RM 9 (T63)
96000803	RM 9 (T80)
96000807	RM 10 (T63)
96000804	RM 10 (T80)
96000808	RM 12 (T80)
96000805	RM 12 (T90)

Dimensions



Model	D	E	F	G	$\varnothing A$	$\varnothing B$	$\varnothing C$
RM 7 (T63)	9x40°	1,5	3	120°	256	215	125
RM 9 (T63)	12x30°	1,5	3	120°	338	303	125
RM 9 (T80)	12x30°	1,5	3	120°	338	303	160
RM 10 (T63)	9x40°	1,5	3	120°	342	317,5	125
RM 10 (T80)	9x40°	1,5	3	120°	342	317,5	160
RM 12 (T80)	12x30°	1,5	4	90°	435	392,5	160
RM 12 (T90)	12x30°	1,5	4	90°	435	392,5	180