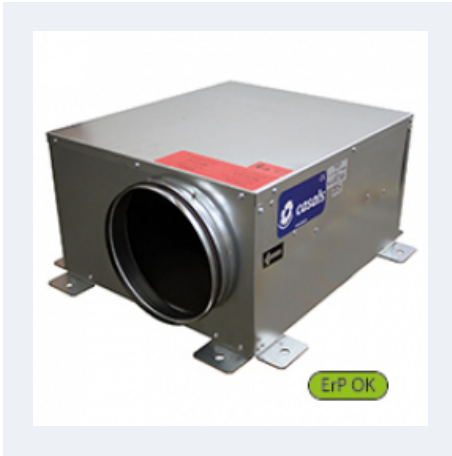


SBC-2



CENTRIFUGAL LOW PROFILE BOX WITH CIRCULAR FLANGES. EXTERNAL ROTOR MOTOR

CONSTRUCTIVE FEATURES:

- Box manufactured in galvanized sheet with thermo-acoustic insulation, Bs1d0 fire class
- Circular connection flanges
- Asynchronous external rotor, which includes thermal protector and ball bearings permanently greased. IP-44 protection and insulation class B according to DIN 40.050 h1. Standard voltage 230V 50Hz

APPLICATIONS:

Designed for inline installation, they are suitable for:

- Air renewal in bathrooms and small premises.
- Perfect for installing in false ceilings or open.
- Maximum working temperature: 50°C.

Accessories



INT



REG



REG
VMC



REGD



VISC

Technical data

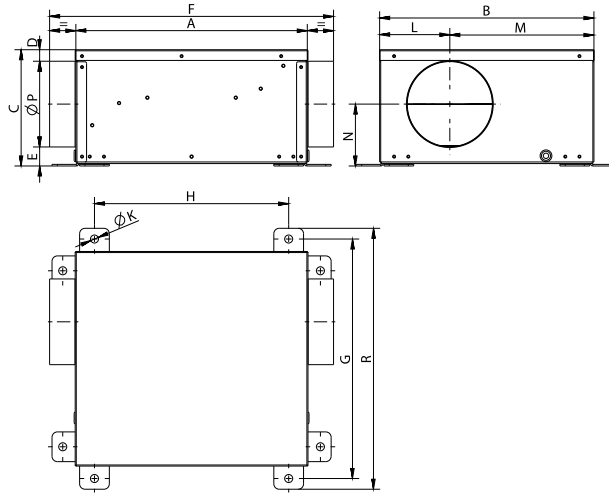
Single-phase motor

| Code | Model | R.P.M. | Rated I. (A) 230V | Rated power kW | Max. Airflow m ³ /h | Sound db (A)** | Weight t | Connect. diagram |
|------------|-----------|--------|-------------------|----------------|--------------------------------|----------------|----------|------------------|
| 240160243C | SBC-2 160 | 2290 | 0,27 | 0,06 | 310 | 39 | 10 | 1 |
| 240200243C | SBC-2 200 | 2480 | 0,42 | 0,10 | 590 | 43 | 13,50 | 1 |
| 240250243C | SBC-2 250 | 2530 | 0,82 | 0,19 | 900 | 48 | 17,50 | 1 |
| 240280243C | SBC-2 280 | 2480 | 1,05 | 0,24 | 1.220 | 52 | 23,50 | 1 |
| 240310243C | SBC-2 315 | 1400 | 0,6 | 0,14 | 1.080 | 36 | 26 | 1 |
| 240350243C | SBC-2 355 | 1400 | 0,75 | 0,17 | 1.500 | 36 | 35 | 1 |
| 240400243C | SBC-2 400 | 1400 | 1,2 | 0,26 | 1.820 | 39 | 51 | 1 |

Notes:

** Total sound pressure level at the point of maximum flow measured in dB(A) in the suction measured in free field at a distance of 6m from the source

Dimensions

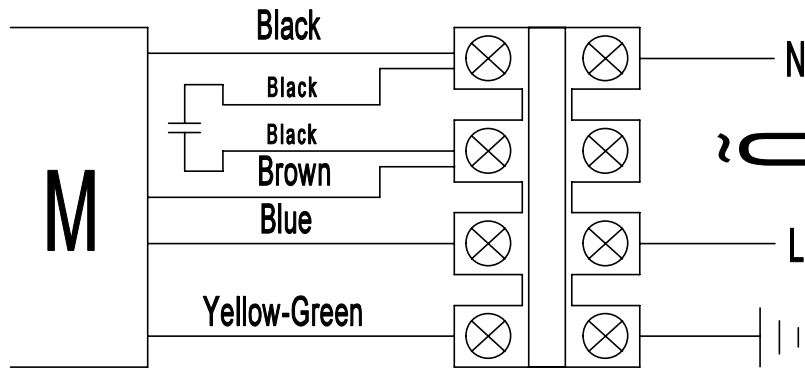


| Model | A | B | C | D | E | F (aprox) | G | H | L |
|-----------|-----|-----|-------|------|------|------------|-----|-------|-------|
| SBC-2 160 | 432 | 400 | 217 | 21.5 | 35.5 | 530 | 447 | 362,5 | 131 |
| SBC-2 200 | 501 | 453 | 255,5 | 23 | 32.5 | 609 | 500 | 431,5 | 151 |
| SBC-2 250 | 567 | 497 | 305,5 | 23 | 32.5 | 685 | 554 | 467,5 | 176 |
| SBC-2 280 | 637 | 552 | 340,5 | 25.5 | 35 | 755 | 609 | 437,5 | 191 |
| SBC-2 315 | 714 | 618 | 375,5 | 23 | 37.5 | 837 | 675 | 614,5 | 208.5 |
| SBC-2 355 | 804 | 692 | 445,5 | 37.5 | 53 | 962 | 749 | 704,5 | 228.5 |
| SBC-2 400 | 908 | 777 | 475,5 | 38 | 37.5 | 1066 | 834 | 808,5 | 251 |

| Model | M | N | R | ØK | ØP |
|-----------|-------|-------|-----|----|-----|
| SBC-2 160 | 269 | 115.5 | 487 | 15 | 160 |
| SBC-2 200 | 302 | 132.5 | 540 | 15 | 200 |
| SBC-2 250 | 321 | 157.5 | 604 | 15 | 250 |
| SBC-2 280 | 361 | 175 | 659 | 15 | 280 |
| SBC-2 315 | 409.5 | 195 | 725 | 15 | 315 |
| SBC-2 355 | 463.5 | 230.5 | 799 | 15 | 355 |
| SBC-2 400 | 526 | 237.5 | 884 | 15 | 400 |

Wiring diagram

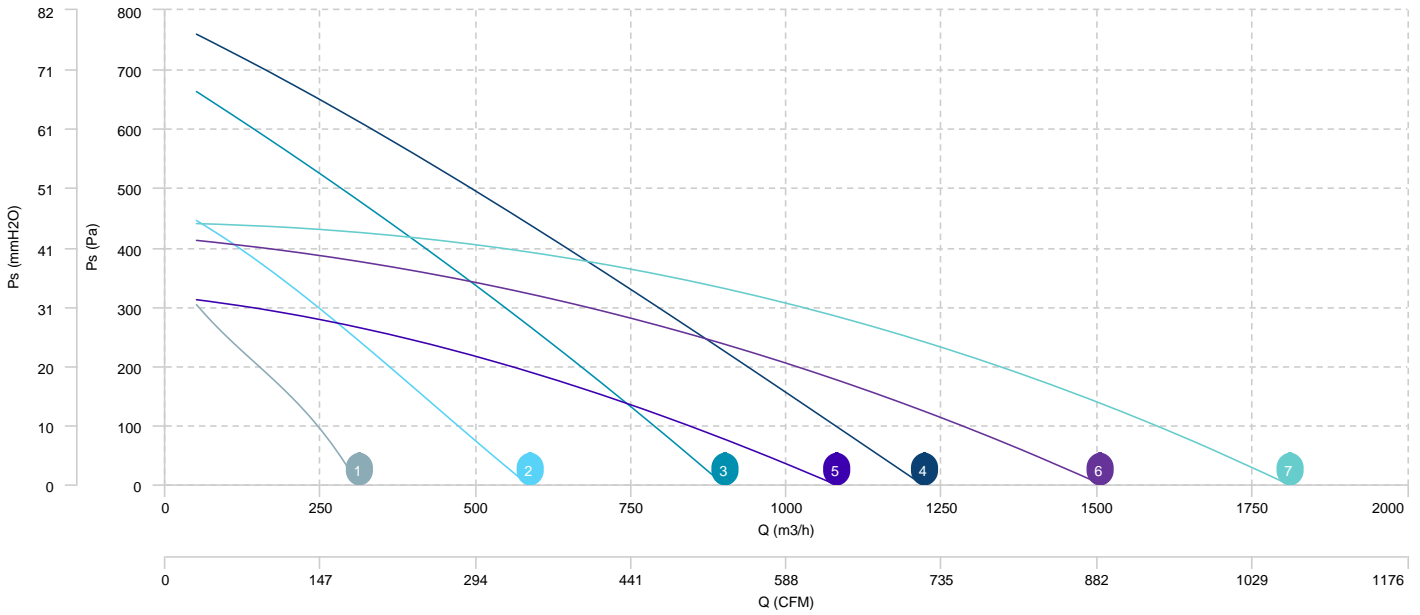
DIAGRAM N° 1



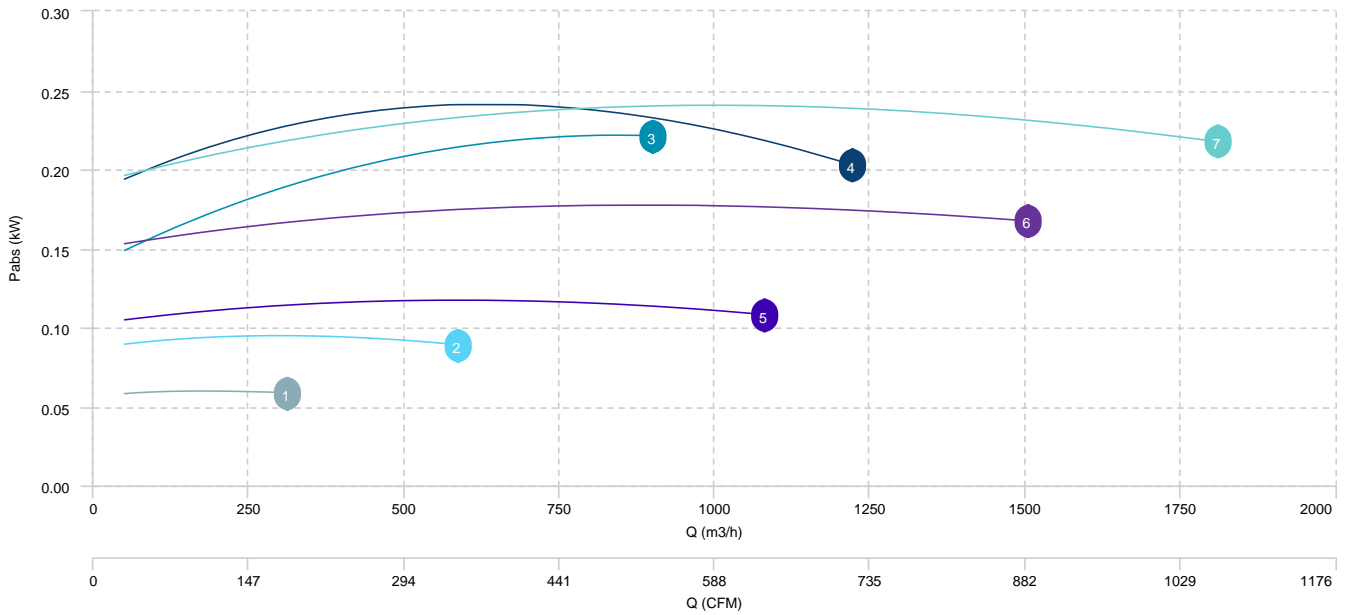
CHARACTERISTIC CURVE

| | | | | | | | |
|---|-----------|---|-----------|---|-----------|---|-----------|
| 1 | SBC-2 160 | 2 | SBC-2 200 | 3 | SBC-2 250 | 4 | SBC-2 280 |
| 5 | SBC-2 315 | 6 | SBC-2 355 | 7 | SBC-2 400 | | |

AIR FLOW - PRESSURE



AIR FLOW - ABSORBED POWER



Sound data

| Sound power Lw dB (A) | | | | | | | | | | |
|-----------------------|-------|-------|--------|--------|--------|---------|---------|---------|---------|-------|
| Model | | 63 Hz | 125 Hz | 250 Hz | 500 Hz | 1000 Hz | 2000 Hz | 4000 Hz | 8000 Hz | Total |
| SBC-2 160 | Inlet | 62 | 60 | 53 | 48 | 47 | 44 | 41 | 36 | 65 |
| SBC-2 200 | Inlet | 66 | 64 | 57 | 52 | 51 | 48 | 45 | 40 | 69 |
| SBC-2 250 | Inlet | 71 | 69 | 62 | 57 | 56 | 53 | 50 | 45 | 74 |
| SBC-2 280 | Inlet | 75 | 73 | 66 | 61 | 60 | 57 | 54 | 49 | 78 |
| SBC-2 315 | Inlet | 59 | 57 | 50 | 45 | 44 | 41 | 38 | 33 | 62 |
| SBC-2 355 | Inlet | 59 | 57 | 50 | 45 | 44 | 41 | 38 | 33 | 62 |
| SBC-2 400 | Inlet | 62 | 60 | 53 | 48 | 47 | 44 | 41 | 36 | 65 |

erp data

| ERP | |
|----------------|--|
| Fan type | Unit for non-residential ventilation (LOT 6) |
| Typology | Unidirectional |
| Others | None |
| Type of driver | None |

| Model | Motor power (kW) | Maximum efficiency point data | | | | | | |
|-----------|------------------|-------------------------------|---------------------|-----------|-----------------|---------|-------------|--------------|
| | | Eff.Heat recovery (%) | Max. efficiency (%) | Pabs (kW) | Air Flow (m3/h) | Ps (Pa) | Speed (m/s) | SFP (W/m3/s) |
| SBC-2 355 | 0,17 | - | 33,87 | 0,18 | 843,41 | 253,68 | 2.37 | 756,97 |
| SBC-2 400 | 0,26 | - | 35,80 | 0,24 | 1.038,92 | 295,08 | 2.3 | 833,42 |