

SIL-C & SIL-CN

Circular silencer with
and without core



SIL-C



SIL-CN

Circular silencer with or without core manual



SIL-C | SIL-CN

Circular silencer with and without core

MANUFACTURING FEATURES

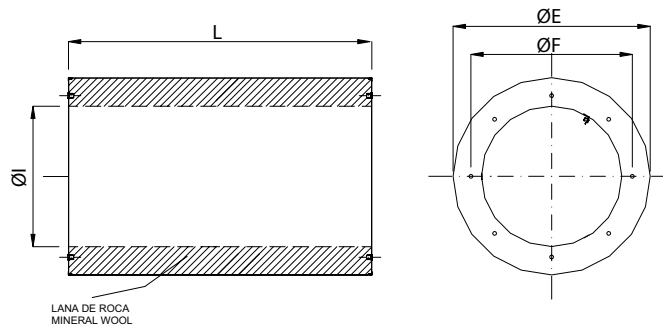
- Valid for mounting in inlet and outlet according to the diameter of the corresponding pipe or adapted to the diameter of an optional flange. Consult to Casals Ventilación.
- Steel housing with thickness of 0.8mm for diameters up to 1250mm; and 1mm for higher diameters.
- Silencer flange with threaded inserts.
- Acoustic rock wool insulation of 70Kg/m³ with microperforated metal mesh that protects the fiberglass from erosion. Fire resistant insulation M0.
- Attenuation test carried out according to the ISO 7235 standard.
- Drills in accordance with Eurovent regulations.
- SIL-CN are equipped with an inner core that increases silencer attenuation.
- Maximum working temperature: 150°C.
- Suitable for pressures up to 1000Pa.

APPLICATIONS

- For attenuating the sound level of the fan.
 - For coupling fans and circular pipes.
- Other sizes, consult us.

DIMENSIONS (mm)

° SIL-C

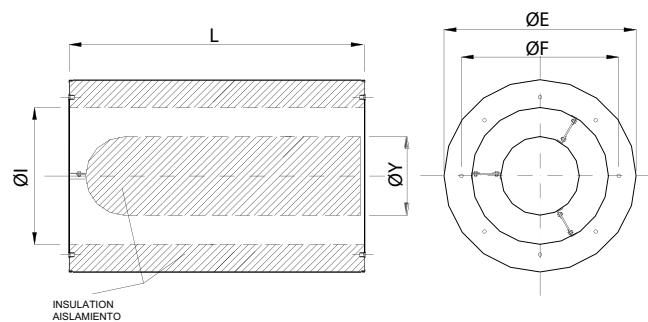


Model	E	F	I	L	nutser	Nº holes	Ø holes
SIL-C 250/250	390	280	250	250	M8	4	11
SIL-C 250/375	390	280	250	375	M8	4	11
SIL-C 250/500	390	280	250	500	M8	4	11
SIL-C 315/315	455	355	315	315	M8	8	11
SIL-C 315/472	455	355	315	472	M8	8	11
SIL-C 315/630	455	355	315	630	M8	8	11
SIL-C 355/355	495	395	355	355	M8	8	11
SIL-C 355/532	495	395	355	532	M8	8	11
SIL-C 355/710	495	395	355	710	M8	8	11
SIL-C 400/400	540	450	400	400	M8	8	12
SIL-C 400/600	540	450	400	600	M8	8	12
SIL-C 400/800	540	450	400	800	M8	8	12
SIL-C 450/450	610	500	450	450	M10	8	12
SIL-C 450/675	610	500	450	675	M10	8	12
SIL-C 450/900	610	500	450	900	M10	8	12
SIL-C 500/500	660	560	500	500	M10	12	12
SIL-C 500/750	660	560	500	750	M10	12	12
SIL-C 500/1000	660	560	500	1000	M10	12	12
SIL-C 560/560	720	620	560	560	M10	12	12
SIL-C 560/840	720	620	560	840	M10	12	12
SIL-C 560/1120	720	620	560	1120	M10	12	12
SIL-C 630/630	790	690	630	630	M10	12	12
SIL-C 630/945	790	690	630	945	M10	12	12
SIL-C 630/1260	790	690	630	1260	M10	12	12
SIL-C 710/710	870	770	710	710	M10	16	12
SIL-C 710/1065	870	770	710	1065	M10	16	12
SIL-C 710/1420	870	770	710	1420	M10	16	12
SIL-C 800/800	1000	860	800	800	M10	16	12
SIL-C 800/1200	1000	860	800	1200	M10	16	12
SIL-C 800/1600	1000	860	800	1600	M10	16	12
SIL-C 900/900	1100	970	900	900	M12	16	15



Model	E	F	I	L	nutser	Nº holes	Ø holes
SIL-C 900/1350	1100	970	900	1350	M12	16	15
SIL-C 900/1800	1100	970	900	1800	M12	16	15
SIL-C 1000/1000	1200	1070	1000	1000	M12	16	15
SIL-C 1000/1500	1200	1070	1000	1500	M12	16	15
SIL-C 1000/2000	1200	1070	1000	2000	M12	16	15
SIL-C 1120/1120	1320	1190	1120	1120	M12	20	15
SIL-C 1120/1680	1320	1190	1120	1680	M12	20	15
SIL-C 1120/2240	1320	1190	1120	2240	M12	20	15
SIL-C 1250/1250	1450	1320	1250	1250	M12	20	15
SIL-C 1250/1875	1450	1320	1250	1875	M12	20	15
SIL-C 1250/2500	1450	1320	1250	2500	M12	20	15
SIL-C 1400/1400	1600	1470	1400	1400	M12	20	15
SIL-C 1400/2100	1600	1470	1400	2100	M12	20	15
SIL-C 1400/2800	1600	1470	1400	2800	M12	20	15

° SIL-CN



Model	E	F	I	L	Y	Nutser	Nº holes	Ø holes
SIL-CN 250/250	390	280	250	250	120	M8	4	11
SIL-CN 250/375	390	280	250	375	120	M8	4	11
SIL-CN 250/500	390	280	250	500	120	M8	4	11
SIL-CN 315/315	455	355	315	315	140	M8	8	11
SIL-CN 315/472	455	355	315	472	140	M8	8	11
SIL-CN 315/ 630	455	355	315	630	140	M8	8	11
SIL-CN 355/355	495	395	355	355	200	M8	8	11
SIL-CN 355/532	495	395	355	532	200	M8	8	11
SIL-CN 355/710	495	395	355	710	200	M8	8	11
SIL-CN 400/400	540	450	400	400	200	M8	8	12
SIL-CN 400/600	540	450	400	600	200	M8	8	12
SIL-CN 400/800	540	450	400	800	200	M8	8	12
SIL-CN 450/450	610	500	450	450	245	M10	8	12
SIL-CN 450/ 675	610	500	450	675	245	M10	8	12
SIL-CN 450/900	610	500	450	900	245	M10	8	12
SIL-CN 500/500	660	560	500	500	245	M10	12	12
SIL-CN 500/750	660	560	500	750	245	M10	12	12
SIL-CN 500/1000	660	560	500	1000	245	M10	12	12
SIL-CN 560/560	720	620	560	560	295	M10	12	12
SIL-CN 560/840	720	620	560	840	295	M10	12	12
SIL-CN 560/1120	720	620	560	1120	295	M10	12	12
SIL-CN 630/630	790	690	630	630	295	M10	12	12
SIL-CN 630/945	790	690	630	945	295	M10	12	12
SIL-CN 630/1260	790	690	630	1260	295	M10	12	12
SIL-CN 710/710	870	770	710	710	380	M10	16	12
SIL-CN 710/1065	870	770	710	1065	380	M10	16	12
SIL-CN 710/1420	870	770	710	1420	380	M10	16	12
SIL-CN 800/800	1000	860	800	800	380	M10	16	12
SIL-CN 800/1200	1000	860	800	1200	380	M10	16	12
SIL-CN 800/1600	1000	860	800	1600	380	M10	16	12
SIL-CN 900/900	1100	970	900	900	380	M12	16	15
SIL-CN 900/1350	1100	970	900	1350	380	M12	16	15
SIL-CN 900/1800	1100	970	900	1800	380	M12	16	15
SIL-CN 1000/1000	1200	1070	1000	1000	650	M12	16	15
SIL-CN 1000/1500	1200	1070	1000	1500	650	M12	16	15
SIL-CN 1000/2000	1200	1070	1000	2000	650	M12	16	15
SIL-CN 1120/1120	1320	1190	1120	1120	650	M12	20	15
SIL-CN 1120/1680	1320	1190	1120	1680	650	M12	20	15
SIL-CN 1120/2240	1320	1190	1120	2240	650	M12	20	15
SIL-CN 1250/1250	1450	1320	1250	1250	650	M12	20	15
SIL-CN 1250/1875	1450	1320	1250	1875	650	M12	20	15
SIL-CN 1250/2500	1450	1320	1250	2500	650	M12	20	15
SIL-CN 1400/1400	1600	1470	1400	1400	650	M12	20	15
SIL-CN 1400/2100	1600	1470	1400	2100	650	M12	20	15
SIL-CN 1400/2800	1600	1470	1400	2800	650	M12	20	15



db DECREASE

	Lenght	125 Hz	250 Hz	500 Hz	1000 Hz	2000 Hz	4000 Hz	8000 Hz
SIL-C 250	10	1	4	6	11	13	9	6
	15	0	6	9	23	16	11	10
	20	1	8	14	24	21	13	12
SIL-C 315	10	1	3	8	14	9	8	7
	15	2	5	12	19	13	11	8
	20	6	6	16	26	17	13	9
SIL-CN 315	10	1	4	9	16	17	13	10
	15	4	5	13	23	26	18	12
	20	6	7	17	32	33	22	17
SIL-C 355	10	0	3	9	14	10	8	6
	15	0	5	12	21	13	11	9
	20	2	6	15	25	16	12	10
SIL-CN 355	10	0	4	11	22	21	15	12
	15	1	7	15	33	32	22	17
	20	2	8	19	40	39	27	20
SIL-C 400	10	0	4	10	13	8	8	5
	15	1	5	14	19	12	10	8
	20	2	7	18	24	15	12	9
SIL-CN 400	10	1	4	11	20	18	14	11
	15	2	6	15	31	27	19	14
	20	2	9	20	37	35	23	16
SIL-C 450	10	1	4	12	12	9	6	6
	15	1	6	17	17	13	9	8
	20	1	7	21	21	15	10	8
SIL-CN 450	10	1	6	14	21	19	13	9
	15	2	7	19	31	28	18	12
	20	3	10	23	39	36	21	15
SIL-C 500	10	0	4	13	11	9	6	5
	15	1	6	18	17	12	9	7
	20	2	8	23	21	14	11	8
SIL-CN 500	10	2	5	13	20	16	11	8
	15	3	7	19	29	24	14	10
	20	3	10	24	38	32	18	12
SIL-C 56	10	0	4	14	11	8	5	4
	15	2	7	20	15	11	8	5
	20	1	9	24	19	14	10	7
SIL-CN 560	10	1	6	15	21	17	11	8
	15	3	9	22	32	27	15	11
	20	2	12	27	41	35	18	12
SIL-C 630	10	1	5	14	10	9	5	5
	15	2	7	20	14	12	8	6
	20	2	9	25	17	14	10	7
SIL-CN 630	10	1	6	15	19	16	10	8
	15	2	9	22	29	23	14	10
	20	3	11	27	37	29	15	12
SIL-C 710	10	1	5	12	9	7	5	5
	15	2	7	18	11	9	6	7
	20	4	9	24	14	11	8	8
SIL-CN 710	10	2	7	15	20	18	12	10
	15	3	11	22	31	25	13	11
	20	5	14	29	41	32	18	15
SIL-C 800	10	3	7	9	8	6	5	4
	15	5	10	13	12	9	7	7
	20	6	13	22	14	10	9	7
SIL-CN 800	10	3	9	12	17	15	9	8
	15	6	13	18	26	22	12	11
	20	6	16	29	35	26	15	12
SIL-C 900	10	3	7	13	8	6	5	4
	15	5	11	16	11	7	7	5
	20	6	14	23	13	9	7	6
SIL-CN 900	10	4	8	15	16	11	8	7
	15	5	12	20	24	16	10	9
	20	7	17	30	34	20	12	11
SIL-C 1000	10	3	8	12	8	4	4	4
	15	5	12	17	10	6	6	5
	20	6	16	23	12	7	7	6
SIL-CN 1000	10	8	14	20	24	21	14	10
	15	10	22	30	37	29	16	12
	20	13	28	39	47	38	19	13
SIL-C 1120	10	3	8	13	7	5	4	3
	15	5	12	18	8	6	5	4
	20	6	15	23	10	7	6	6
SIL-CN 1120	10	6	13	20	21	14	8	7
	15	10	19	29	33	20	11	10
	20	14	26	36	42	24	13	11
SIL-C 1250	10	3	9	13	7	4	4	3
	15	6	12	17	8	5	5	4
	20	8	17	22	10	6	6	5
SIL-CN 1250	10	7	12	18	19	10	6	6
	15	10	18	26	29	14	9	7
	20	13	25	35	37	17	11	9

Lenght: 10 = 1 x diameter / 15 = 1.5 x diameter / 20 = 2 x diameter



VORTICE GROUP COMPANIES

VORTICE S.P.A

Strada Cerca, 2
Frazione di Zoate
20067 Tribiano
(Milan) Italy
Tel. (+39) 02 906991
Fax (+39) 02 90699625
vortice.com

VORTICE LIMITED

Beeches House-Eastern
Avenue Burton upon Trent
DE13 0BB United Kingdom
Tel. (+44) 1283 492949
Fax (+44) 1283 544121
vortice.ltd.uk

VORTICE INDUSTRIAL S.R.L.

Via B. Brugnoli 3,
37063 Isola della Scala
(Verona) Italy
Tel. (+39) 045 6631042
Fax (+39) 045 6631039
vorticeindustrial.com

CASALS VENTILACIÓN AIR INDUSTRIAL S.L.

Ctra. Camprodon, s/n 17860
Sant Joan de les
Abadesses
(Girona) Spain
Tel. (+34) 972720150
casals.com

VORTICE LATAM S.A.

Bodega #6
Zona Franca Este Alajuela,
Alajuela 20101
Costa Rica
Tel. (+506) 2201 6934
vortice-latam.com

VORTICE VENTILATION SYSTEM

(Changzhou) Co.LTD
No. 388 West Huanghe Road
Building 19, Changzhou
Post Code: 213000 China
Tel. (+86) 0519 88990150
Fax (+86) 0519 88990151
vortice-china.com

The descriptions and illustrations in this catalogue are intended to be indicative and not binding. Without prejudice to the essential characteristics of the products described and illustrated here, CASALS VENTILACIÓN reserves the right to make, at any time and without notice, changes to parts, aesthetic details or supply of accessories to its products that are deemed to be appropriate for improvement or for any construction or commercial requirement.

This printout completely cancels and replaces all the previous ones.